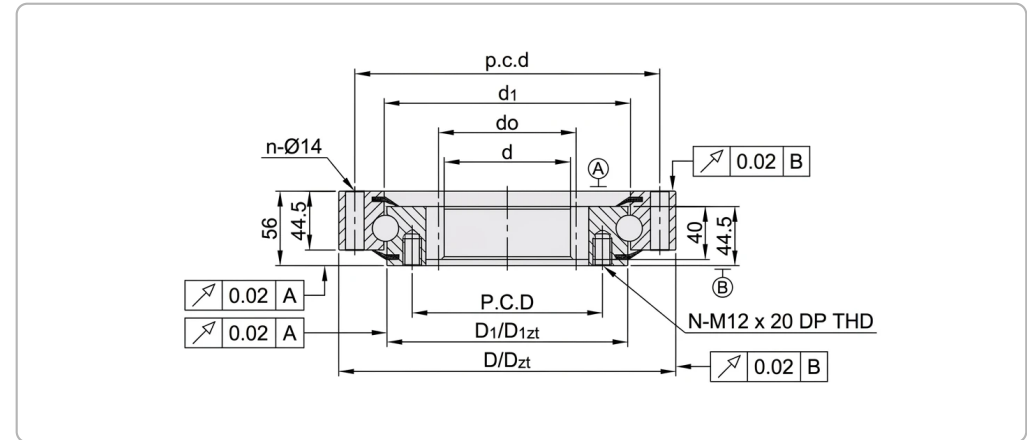




Product View



Section Drawing

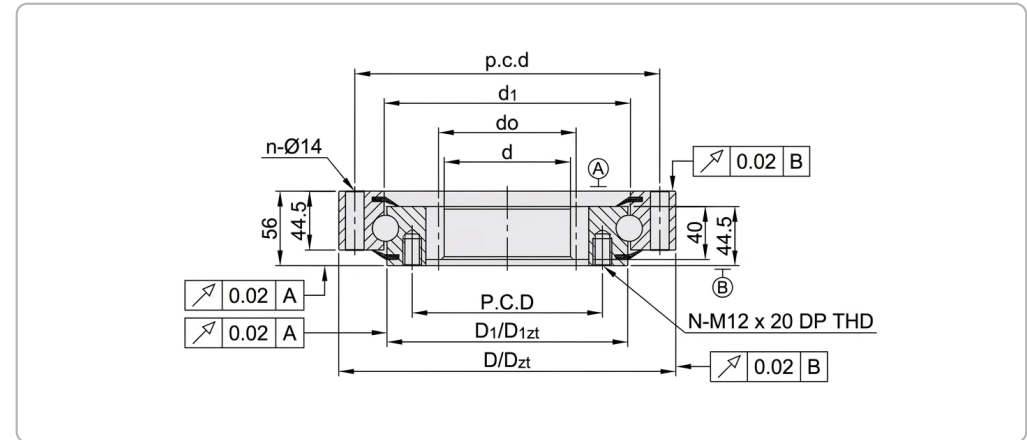
Technical Parameters

Parameter	Value
Contact Type	4-Point Contact
Gear Type	Internal Gear Type
Precision Class	P5
Sealing	Rubber seals on both sides
Material	SUJ2 (GCr15)
Operating temperature	-20°C to +80°C
Running Accuracy	Radial & Axial Run-out <= 0.02 mm
Raceway Hardness	58-62 HRC
Bore Diameter (d)	325 mm
Height (H)	56 mm
Outside Diameter (D)	486 mm
Outside diameter tolerance	-0.5mm to 0
Width outer ring (ha)	44.5 mm
Width inner ring (hi)	44.5 mm
Width gearing (b)	40 mm
Outer Ring Pilot Diameter (Dzt)	484 mm
Inner diameter outer ring (d1)	415.5 mm
Inner diameter outer ring tolerance	0.5mm to 0
Outside diameter inner ring (D1)	412.5 mm

Parameter	Value
Outside diameter inner ring tolerance	-0.5mm to 0
Inner Ring Pilot (D1zt)	411 mm
Pitch circle diameter gearing (do)	335 mm
Module of gearing (M)	5 mm
Number of teeth (Z)	67
Pressure Angle	20°
Pitchcircle diameter fixing holes outer ring (p.c.d)	460 mm
Number of fixing holes in outer ring (n)	24
Fixing bore	14 mm
Pitchcircle diameter fixing holes inner ring (P.C.D)	375 mm
Number of fixing holes in inner ring (n)	24
Threaded fixing bore	M12
Thread depth fixing hole	20 mm
Basic dynamic load rating, axial (Ca)	169 KN
Basic static load rating, axial (C0a)	560 KN
Basic dynamic load rating, radial (Cr)	111 KN
Basic static load rating, radial (C0r)	248 KN
Radial Clearance	0-0.05 mm
Axial Clearance	0-0.08 mm



Product View



Section Drawing

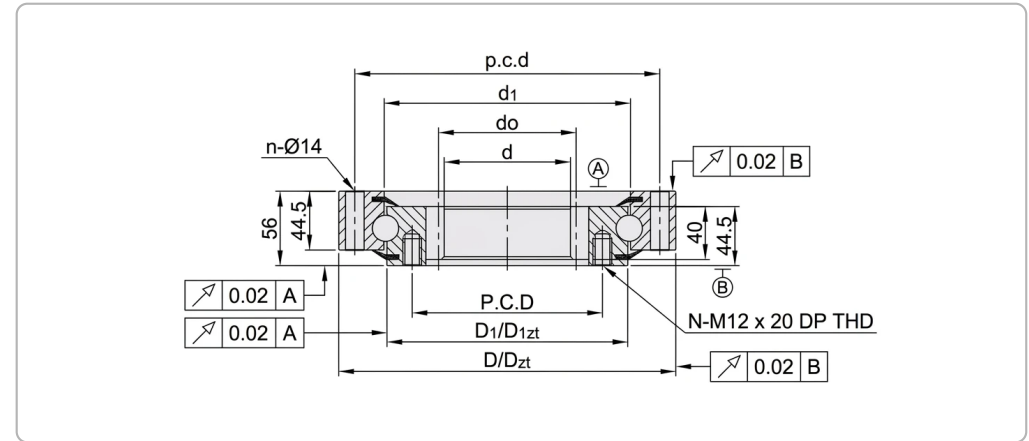
Technical Parameters

Parameter	Value
Contact Type	4-Point Contact
Gear Type	Internal Gear Type
Precision Class	P5
Sealing	Rubber seals on both sides
Material	SUJ2 (GCr15)
Operating temperature	-20°C to +80°C
Running Accuracy	Radial & Axial Run-out <= 0.02 mm
Raceway Hardness	58-62 HRC
Bore Diameter (d)	444 mm
Height (H)	56 mm
Outside Diameter (D)	616 mm
Outside diameter tolerance	-0.5mm to 0
Width outer ring (ha)	44.5 mm
Width inner ring (hi)	44.5 mm
Width gearing (b)	40 mm
Outer Ring Pilot Diameter (Dzt)	614 mm
Inner diameter outer ring (d1)	545.5 mm
Inner diameter outer ring tolerance	0.5mm to 0
Outside diameter inner ring (D1)	542.5 mm

Parameter	Value
Outside diameter inner ring tolerance	-0.5mm to 0
Inner Ring Pilot (D1zt)	541 mm
Pitch circle diameter gearing (do)	456 mm
Module of gearing (M)	6 mm
Number of teeth (Z)	76
Pressure Angle	20°
Pitchcircle diameter fixing holes outer ring (p.c.d)	590 mm
Number of fixing holes in outer ring (n)	32
Fixing bore	14 mm
Pitchcircle diameter fixing holes inner ring (P.C.D)	505 mm
Number of fixing holes in inner ring (n)	32
Threaded fixing bore	M12
Thread depth fixing hole	20 mm
Basic dynamic load rating, axial (Ca)	188 KN
Basic static load rating, axial (C0a)	740 KN
Basic dynamic load rating, radial (Cr)	123 KN
Basic static load rating, radial (C0r)	325 KN
Radial Clearance	0-0.05 mm
Axial Clearance	0-0.08 mm



Product View



Section Drawing

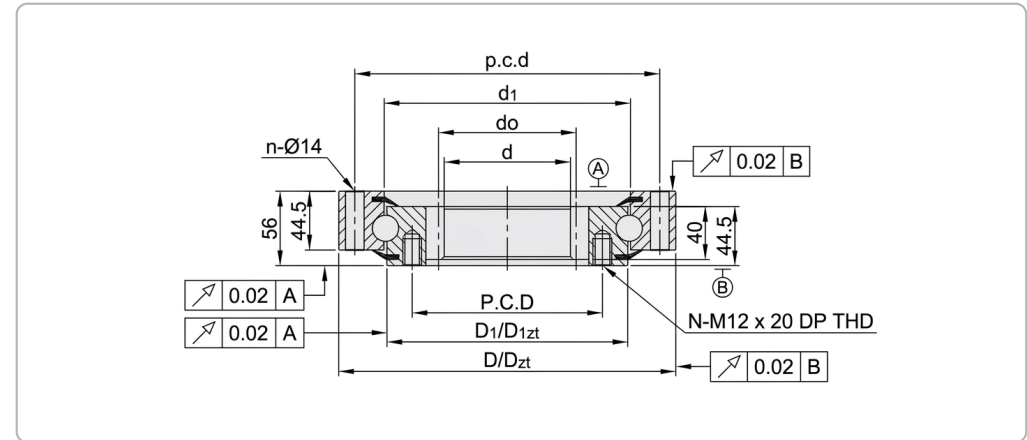
Technical Parameters

Parameter	Value
Contact Type	4-Point Contact
Gear Type	Internal Gear Type
Precision Class	P5
Sealing	Rubber seals on both sides
Material	SUJ2 (GCr15)
Operating temperature	-20°C to +80°C
Running Accuracy	Radial & Axial Run-out <= 0.02 mm
Raceway Hardness	58-62 HRC
Bore Diameter (d)	546 mm
Height (H)	56 mm
Outside Diameter (D)	716 mm
Outside diameter tolerance	-0.6mm to 0
Width outer ring (ha)	44.5 mm
Width inner ring (hi)	44.5 mm
Width gearing (b)	40 mm
Outer Ring Pilot Diameter (Dzt)	714 mm
Inner diameter outer ring (d1)	645.5 mm
Inner diameter outer ring tolerance	0.6mm to 0
Outside diameter inner ring (D1)	642.5 mm

Parameter	Value
Outside diameter inner ring tolerance	-0.6mm to 0
Inner Ring Pilot (D1zt)	641 mm
Pitch circle diameter gearing (do)	558 mm
Module of gearing (M)	6 mm
Number of teeth (Z)	93
Pressure Angle	20°
Pitchcircle diameter fixing holes outer ring (p.c.d)	690 mm
Number of fixing holes in outer ring (n)	36
Fixing bore	14 mm
Pitchcircle diameter fixing holes inner ring (P.C.D)	605 mm
Number of fixing holes in inner ring (n)	36
Threaded fixing bore	M12
Thread depth fixing hole	20 mm
Basic dynamic load rating, axial (Ca)	200 KN
Basic static load rating, axial (C0a)	880 KN
Basic dynamic load rating, radial (Cr)	131 KN
Basic static load rating, radial (C0r)	385 KN
Radial Clearance	0-0.05 mm
Axial Clearance	0-0.08 mm



Product View



Section Drawing

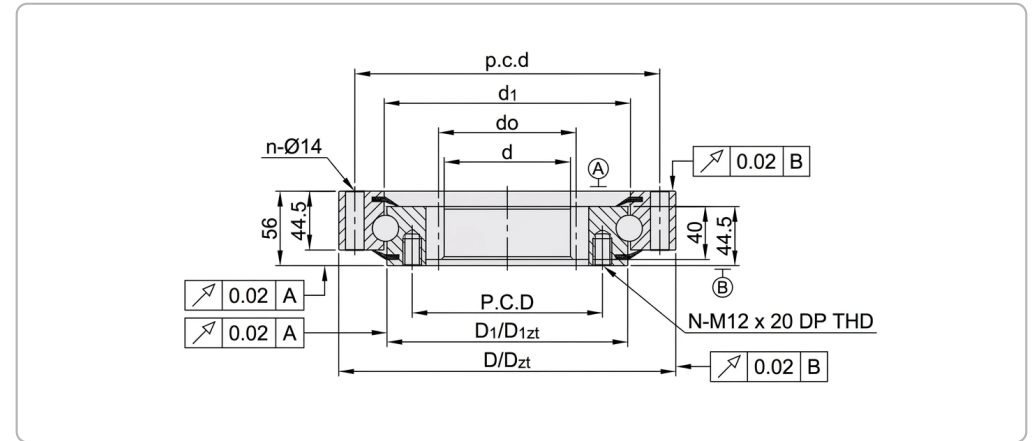
Technical Parameters

Parameter	Value
Contact Type	4-Point Contact
Gear Type	Internal Gear Type
Precision Class	P5
Sealing	Rubber seals on both sides
Material	SUJ2 (GCr15)
Operating temperature	-20°C to +80°C
Running Accuracy	Radial & Axial Run-out <= 0.02 mm
Raceway Hardness	58-62 HRC
Bore Diameter (d)	648 mm
Height (H)	56 mm
Outside Diameter (D)	816 mm
Outside diameter tolerance	-0.6mm to 0
Width outer ring (ha)	44.5 mm
Width inner ring (hi)	44.5 mm
Width gearing (b)	40 mm
Outer Ring Pilot Diameter (Dzt)	814 mm
Inner diameter outer ring (d1)	745.5 mm
Inner diameter outer ring tolerance	0.6mm to 0
Outside diameter inner ring (D1)	742.5 mm

Parameter	Value
Outside diameter inner ring tolerance	-0.6mm to 0
Inner Ring Pilot (D1zt)	741 mm
Pitch circle diameter gearing (do)	660 mm
Module of gearing (M)	6 mm
Number of teeth (Z)	110
Pressure Angle	20°
Pitchcircle diameter fixing holes outer ring (p.c.d)	790 mm
Number of fixing holes in outer ring (n)	40
Fixing bore	14 mm
Pitchcircle diameter fixing holes inner ring (P.C.D)	705 mm
Number of fixing holes in inner ring (n)	40
Threaded fixing bore	M12
Thread depth fixing hole	20 mm
Basic dynamic load rating, axial (Ca)	211 KN
Basic static load rating, axial (C0a)	1010 KN
Basic dynamic load rating, radial (Cr)	138 KN
Basic static load rating, radial (C0r)	445 KN
Radial Clearance	0-0.05 mm
Axial Clearance	0-0.08 mm



Product View



Section Drawing

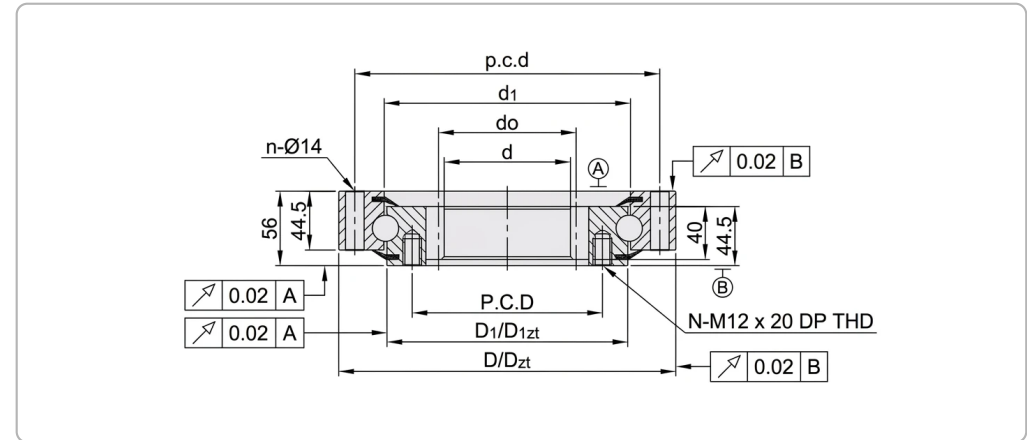
Technical Parameters

Parameter	Value
Contact Type	4-Point Contact
Gear Type	Internal Gear Type
Precision Class	P5
Sealing	Rubber seals on both sides
Material	SUJ2 (GCr15)
Operating temperature	-20°C to +80°C
Running Accuracy	Radial & Axial Run-out <= 0.02 mm
Raceway Hardness	58-62 HRC
Bore Diameter (d)	736 mm
Height (H)	56 mm
Outside Diameter (D)	916 mm
Outside diameter tolerance	-0.6mm to 0
Width outer ring (ha)	44.5 mm
Width inner ring (hi)	44.5 mm
Width gearing (b)	40 mm
Outer Ring Pilot Diameter (Dzt)	914 mm
Inner diameter outer ring (d1)	845.5 mm
Inner diameter outer ring tolerance	0.6mm to 0
Outside diameter inner ring (D1)	842.5 mm

Parameter	Value
Outside diameter inner ring tolerance	-0.6mm to 0
Inner Ring Pilot (D1zt)	841 mm
Pitch circle diameter gearing (do)	752 mm
Module of gearing (M)	8 mm
Number of teeth (Z)	94
Pressure Angle	20°
Pitchcircle diameter fixing holes outer ring (p.c.d)	890 mm
Number of fixing holes in outer ring (n)	40
Fixing bore	14 mm
Pitchcircle diameter fixing holes inner ring (P.C.D)	805 mm
Number of fixing holes in inner ring (n)	40
Threaded fixing bore	M12
Thread depth fixing hole	20 mm
Basic dynamic load rating, axial (Ca)	222 KN
Basic static load rating, axial (C0a)	1150 KN
Basic dynamic load rating, radial (Cr)	145 KN
Basic static load rating, radial (C0r)	510 KN
Radial Clearance	0-0.05 mm
Axial Clearance	0-0.08 mm



Product View



Section Drawing

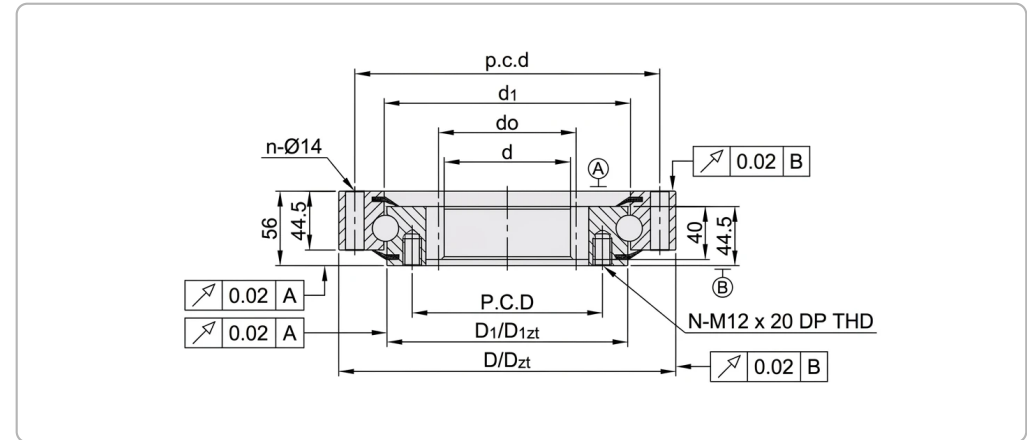
Technical Parameters

Parameter	Value
Contact Type	4-Point Contact
Gear Type	Internal Gear Type
Precision Class	P5
Sealing	Rubber seals on both sides
Material	SUJ2 (GCr15)
Operating temperature	-20°C to +80°C
Running Accuracy	Radial & Axial Run-out <= 0.02 mm
Raceway Hardness	58-62 HRC
Bore Diameter (d)	840 mm
Height (H)	56 mm
Outside Diameter (D)	1016 mm
Outside diameter tolerance	-0.7mm to 0
Width outer ring (ha)	44.5 mm
Width inner ring (hi)	44.5 mm
Width gearing (b)	40 mm
Outer Ring Pilot Diameter (Dzt)	1014 mm
Inner diameter outer ring (d1)	945.5 mm
Inner diameter outer ring tolerance	0.7mm to 0
Outside diameter inner ring (D1)	942.5 mm

Parameter	Value
Outside diameter inner ring tolerance	-0.7mm to 0
Inner Ring Pilot (D1zt)	941 mm
Pitch circle diameter gearing (do)	856 mm
Module of gearing (M)	8 mm
Number of teeth (Z)	107
Pressure Angle	20°
Pitchcircle diameter fixing holes outer ring (p.c.d)	990 mm
Number of fixing holes in outer ring (n)	46
Fixing bore	14 mm
Pitchcircle diameter fixing holes inner ring (P.C.D)	905 mm
Number of fixing holes in inner ring (n)	46
Threaded fixing bore	M12
Thread depth fixing hole	20 mm
Basic dynamic load rating, axial (Ca)	231 KN
Basic static load rating, axial (C0a)	1280 KN
Basic dynamic load rating, radial (Cr)	151 KN
Basic static load rating, radial (C0r)	570 KN
Radial Clearance	0-0.05 mm
Axial Clearance	0-0.08 mm



Product View



Section Drawing

Technical Parameters

Parameter	Value
Contact Type	4-Point Contact
Gear Type	Internal Gear Type
Precision Class	P5
Sealing	Rubber seals on both sides
Material	SUJ2 (GCr15)
Operating temperature	-20°C to +80°C
Running Accuracy	Radial & Axial Run-out <= 0.02 mm
Raceway Hardness	58-62 HRC
Bore Diameter (d)	984 mm
Height (H)	56 mm
Outside Diameter (D)	1166 mm
Outside diameter tolerance	-0.7mm to 0
Width outer ring (ha)	44.5 mm
Width inner ring (hi)	44.5 mm
Width gearing (b)	40 mm
Outer Ring Pilot Diameter (Dzt)	1164 mm
Inner diameter outer ring (d1)	1095.5 mm
Inner diameter outer ring tolerance	0.7mm to 0
Outside diameter inner ring (D1)	1092.5 mm

Parameter	Value
Outside diameter inner ring tolerance	-0.7mm to 0
Inner Ring Pilot (D1zt)	1091 mm
Pitch circle diameter gearing (do)	1000 mm
Module of gearing (M)	8 mm
Number of teeth (Z)	125
Pressure Angle	20°
Pitchcircle diameter fixing holes outer ring (p.c.d)	1140 mm
Number of fixing holes in outer ring (n)	48
Fixing bore	14 mm
Pitchcircle diameter fixing holes inner ring (P.C.D)	1055 mm
Number of fixing holes in inner ring (n)	48
Threaded fixing bore	M12
Thread depth fixing hole	20 mm
Basic dynamic load rating, axial (Ca)	244 KN
Basic static load rating, axial (C0a)	1490 KN
Basic dynamic load rating, radial (Cr)	160 KN
Basic static load rating, radial (C0r)	660 KN
Radial Clearance	0-0.05 mm
Axial Clearance	0-0.08 mm